

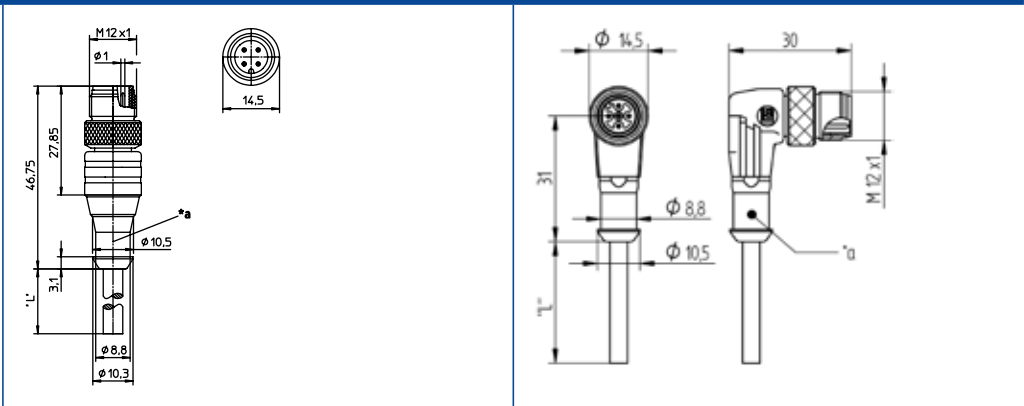


### Single-Ended Overmolded M12 Cordset for Actuators and Sensors – Standard Male Connectors

#### Technical Information

Product Description		
Order Designation	RST	RSWT
		
Description	Actuator/sensor cordset, M12 overmolded male connector, straight, with self-locking screw coupling	Actuator/sensor cordset, M12 overmolded male connector, angled, with self-locking screw coupling
RoHS-compliant (2011/65/EU)	Yes	
(Construction Type) Standard	IEC 61076-2-101	
Approvals	UL	
Technical Data		
Ambient Temperature	-40 °C to +90 °C, mind cable temperature range	
Housing Material/Grip	TPU	
Contact Holder Material	TPU	
Contact Material/Surface Finish	CuSn, gold over nickel plating	
Screw Coupling Material	CuZn, nickel-plated	
Mechanical Data		
Degree of Protection	IP67, IP68 (only when mated to associated counterparts)	
Electrical Data		
Contact Resistance	≤ 5 mΩ	
Operating Voltage	3 to 4-pin: 230 V AC/DC, 5-pin: 50 V AC/60 V DC, 8 to 12-pin: 30 V AC/DC	
Rated Current	3 and 5-pin 4 A, 8-pin 2 A	
Pollution Degree	3	
Technical Drawing		



\*a = Protective sleeve assembly • L = Standard length of cable